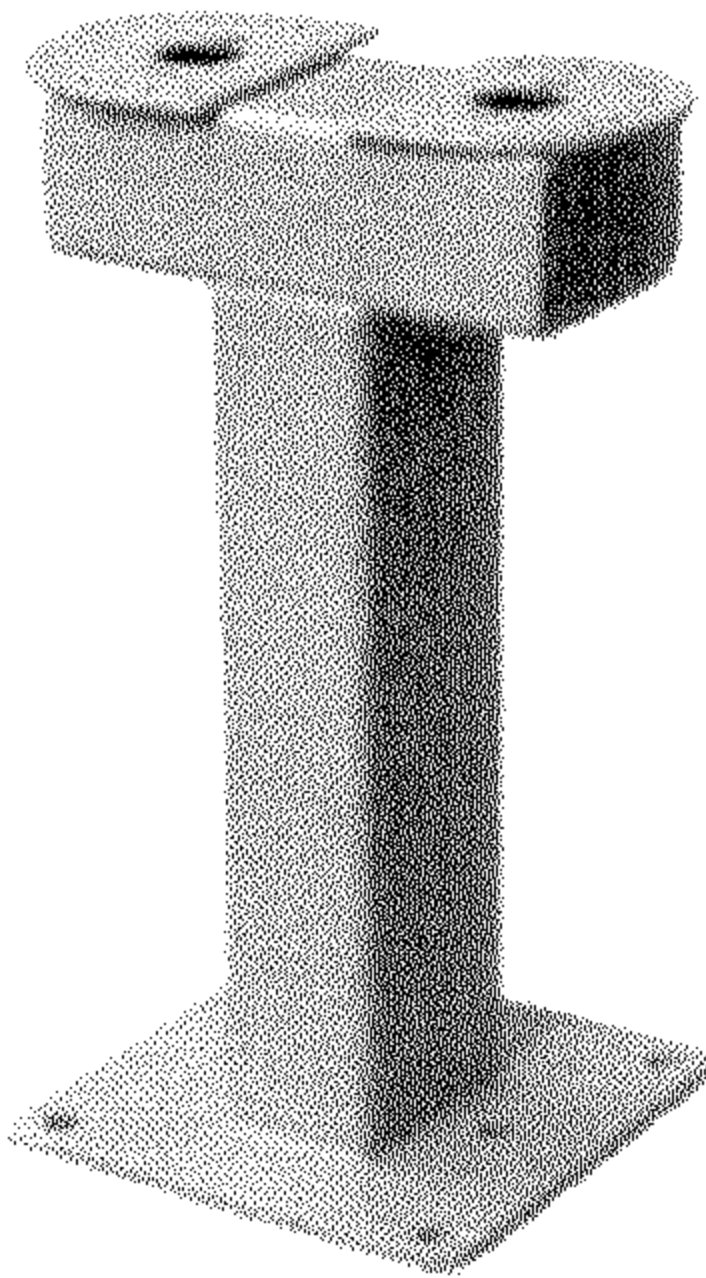


TABLE AND COUNTER MOUNTING BRACKETS

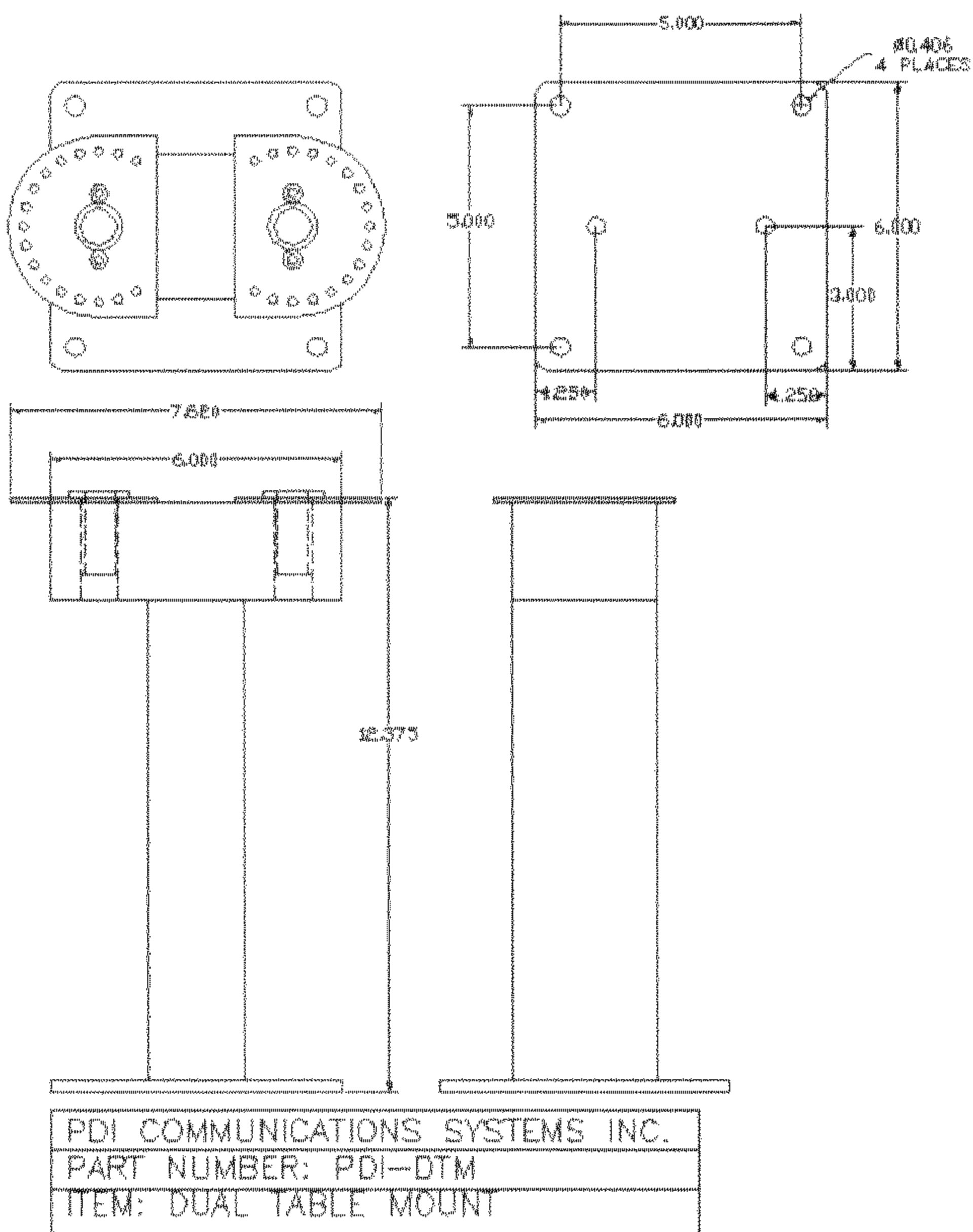
PDi-DTM



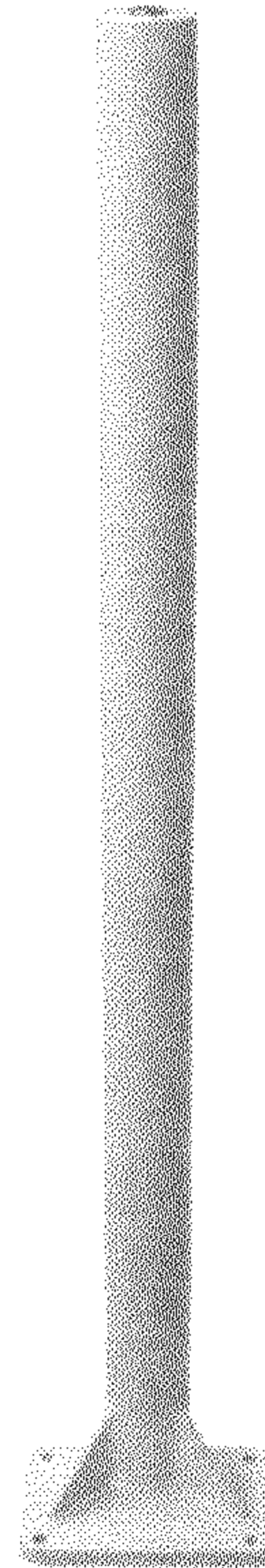
Dual table mount. Designed for mounting two arms to a counter top surface and supporting PDi support arms (model 400 or 500). Mounting plate is heavy duty 1/4" thick steel plate, and drilled for two "F" feed thru barrel connector (supplied). Extra tall 12" tube height allows television to rotate and clear counter top surface. Permanently lubricated oillite pivot bushing. Standard bushing size in 5/8", 1/2" is available on request. Two rotational stop kits are included to limit rotation and prevent interference.

PDi -DTM

- double table mount
- two rotational stops
- stands 12" in height



PDi-886C



Standard floor mount. Designed for mounting to the floor top surface and supporting PDi support arms (model 400 or 500). Mounting plate is extra heavy duty 5/8" thick steel plate. Tube is 48" tall allowing the television to be at ideal mounting height. Strong steel gussets at base allow for sturdy and durable mounting. Permanently lubricated oillite pivot bushing. Standard bushing size in 5/8", 1/2" is available on request. Optional rotational stop kits are available to limit rotation and prevent interference.

PDi-886C

- standard PDI floor mount
- stands 48" tall
- supports 400 or 500 series arms
- weighs 38 lbs.

