

RoomMate Infection Control Series Digital Healthcare Televisions

Model #s: RM26ICS, RM32ICS

Infection Control Series



Front View



Side View

The world's first Infection Control Series televisions are made with tempered glass, which is extremely durable and unbreakable.

The all-glass front is easy to clean with healthcare disinfectant cleaners.

The "Clean TV" touch button, when pressed, locks the keypad for a pre-set time to allow for wiping the television without changing channels, volume, etc. and also shows reminders to clean the TV.

Product Highlights

The only INFECTION CONTROL television with a unique flat antimicrobial surface that can be cleaned with disinfectants for infection control purposes

Whispering wall speakers allow for a better viewing experience and eliminate bacteria-hosting speaker grills

Ultra-durable all-glass front is impervious to bacteria and does not break

Capacitive touch button panel never wears out and accommodates weak fingers

"CLEAN" TV button locks the front keypad during cleaning and sends reminders when the TV needs to be cleaned

Virtual channel line-up makes channels easier for patients to find

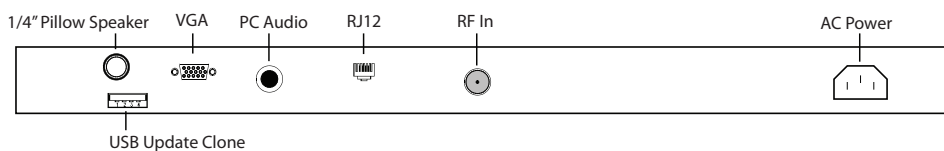
USB port or optional internal disk storage to store and play media such as educational and entertainment videos, pictures, and music

Rounded corners help protect patients, visitors and staff from injury

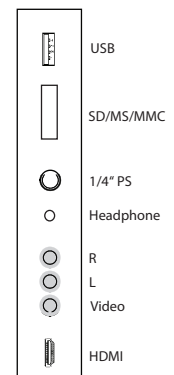
USB clone makes TV installation and setup quicker and easier

Available in 26" and 32" sizes

Rear Inputs/Outputs



Side Inputs/ Outputs

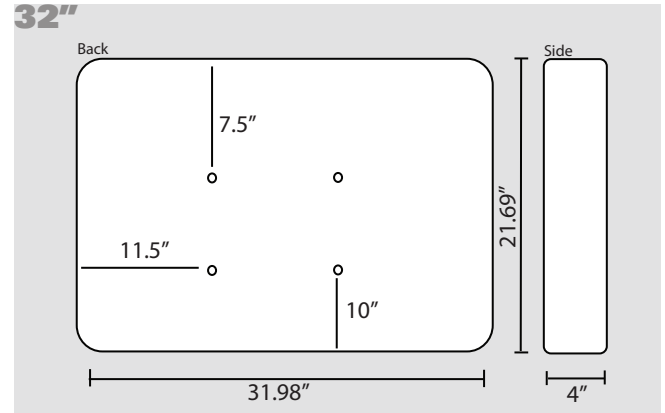
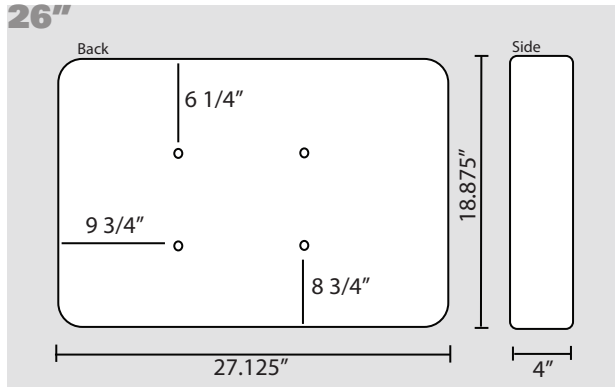


Product Specifications

Cabinet

| | |
|---------------------------|---|
| Color | Standard color - Black |
| Dimensions | 26" 27.125"L x 4"W x 18.875"H |
| Weight | 24 lbs |
| Carton dimensions (WxHxD) | 31.65"L x 8.46"W x 23.39"H |
| Shipping Weight | 28 lbs. |
| VESA Pattern | 200mmx100mm |

| | |
|---------------------------|---------------------------------------|
| Dimensions | 32" 31.98"L x 4"W x 21.69"H |
| Weight | 35 lbs |
| Carton dimensions (WxHxD) | 37.74"L x 9.09"W x 27.05"H |
| Shipping Weight | 40 lbs. |
| VESA Pattern | 200mmx100mm |



Video Enhancements

| | |
|-----------------------------|--------------------------|
| Screen sizes (active area) | 26" 22.7" x 12.8" |
| Display type | 3 U type CCFL |
| Display resolution (native) | WXGA 1366 x 768 |
| Color depth | 16.7 million (8 bit) |
| Aspect ratio | 16:9 |
| Luminance (brightness) | 26" - 450 cd/m2 |
| Contrast ratio | 26" - 3000:1 |
| Viewing angle | 26" - 178/178 |
| Response time | 26" - 6.5 ms |
| Digital progressive scan | Yes |
| Black level expansion | Yes |
| White level expansion | Yes |

| | |
|-----------------------------|--------------------------|
| Screen sizes (active area) | 32" 27.5" x 15.5" |
| Display type | 4 U type CCFL |
| Display resolution (native) | WXGA 1366 x 768 |
| Color depth | 16.7 million (8 bit) |
| Aspect ratio | 16:9 |
| Luminance (brightness) | 32" - 450 cd/m2 |
| Contrast ratio | 32" - 3000:1 |
| Viewing angle | 32" - 178/178 |
| Response time | 32" - 6.5 ms |
| Digital progressive scan | Yes |
| Black level expansion | Yes |
| White level expansion | Yes |

Inputs

| | |
|---------------------|--|
| Input signal | ATSC, NTSC, (VHF/UHF/CATV/FM), Clear QAM64, Clear QAM256 |
| Physical inputs | RF, USB/ SD (media playback), VGA, HDMI, Composite, AV, PC |
| DTV input | 480i - 1080i |
| Display modes | ATSC, NTSC, PC, HDTV |
| Pillow Speaker Jack | 1/4" phone jack |
| Communication | Serial RJ12 |

Power

| | |
|-------------|-------------------------------------|
| Source | 120VAC 50/60 HZ |
| Consumption | 26" - 55W 32" - 90W |

Audio Enhancements

| | |
|----------------------|-------------------------------------|
| On-screen equalizer | Yes, 2 Band + 7 Band Advanced |
| MST: mono/stereo/SAP | Yes |
| Audio output power | 26", 32" 10W Whispering Wall |
| Quick auto | Standard, Soft, User, Dynamic |
| Level | Programmable maximum levels |
| Auto Volume Leveler | Yes |

Digital Media Support

| | |
|---------------|--|
| Video Format | AVI, 3Gp, MPG, MPEG, VOB (contact HCI for specific codecs) |
| Photo Formats | JPG, BMP, PNG, GIF |
| Music Formats | MP3, WMA |

Special Features

| | |
|-----------------------------------|----------------------------------|
| Educational Channels | Yes (10) |
| Built-in power supply | Yes |
| Power on settings | Input, channel, volume |
| Tuning system | ATSC, NTSC, Clear QAM, FM |
| Channel | VHF/UHF/CATV/FM |
| Three-language menu | English, French, Spanish |
| Parental control w/v-chip | Yes |
| Sleep timer | Yes |
| On/off alarm | Yes; 7 times |
| Auto off | Yes |
| Real-time battery backed clock | Yes |
| Flashback | Yes |
| Closed captioning | Yes; on, off & on w/mute |
| Auto-power & last source memory | Yes |
| IR Remote | Bed 1, Bed 2, Bed 3, Bed 4 |
| On with AC | Yes |
| Keypad disable (key lock) | Yes |
| USB clone | Yes |
| Software upgrade with USB | Yes |
| Universal IR Remote Interface | Yes |
| Compatible with Universal Remotes | Yes |
| Infection Control Design | Yes |
| Recommended Cleaning Solution | Isopropyl Alcohol-based solution |
| Password protected menu | Yes |
| Virtual Channel Lineup | Yes |
| Touch keypad | Yes |
| All glass front | Yes |

Approvals

| | |
|---------------|-----|
| Hospital C-UL | Yes |
|---------------|-----|

Options

| | |
|--------------------------|-----|
| Internal Hard Disk Drive | Yes |
|--------------------------|-----|

Warranty

| | |
|-----------------------|-----|
| Two years parts/labor | Yes |
|-----------------------|-----|